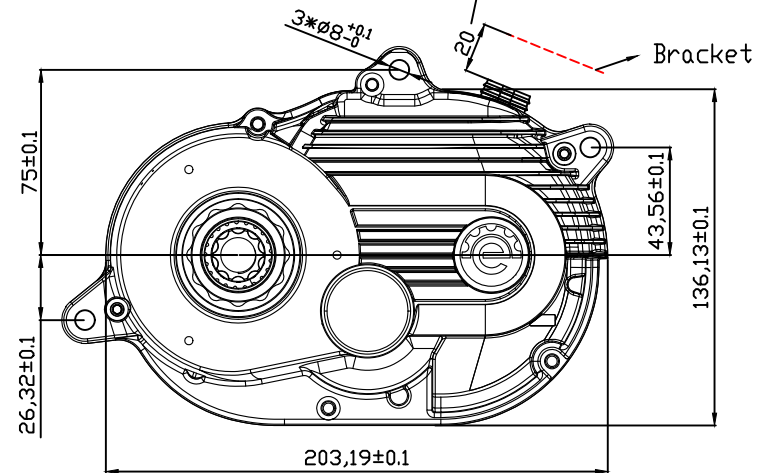
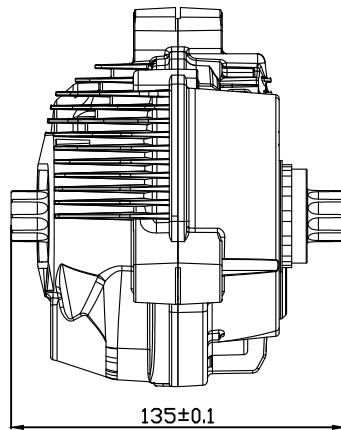
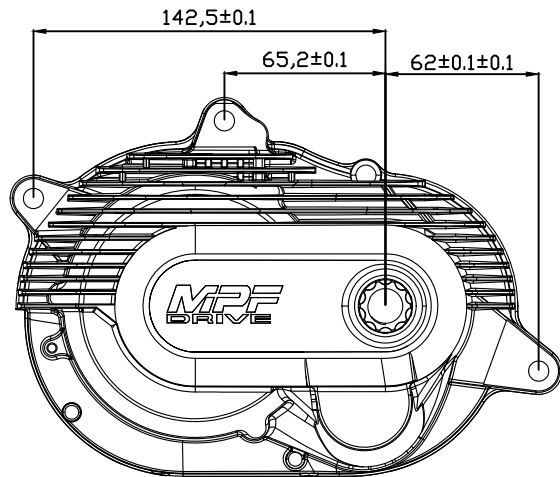

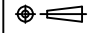


Distance between motor rubber tubing and frame adapter is at least 20mm.



 UNIQUE PRODUCT & DESIGN CO., LTD.		TEL:(06)2536767 FAX:(06)2530998					
DWG FILE		DRAWER	DATE 2020.03.25	Unspecified tolerances >0 ±0.1 >5 ±0.2 >25 ±0.3 >100 ±0.5 >250 ±0.8 >1000 ±1.5			
DRAW NAME	MPF 6S (135L)	DESIGNER	DATE				
CART STYLE	T	CHECKER	DATE				
PAPER SIZE	A4	APPROVER	DATE				
Scale		PROJECTION		UNIT	MM	PROCESS	
Release level		WORK DIR :		NOTE		SHEET	1 of 1

Paper size	A4
Scale	
Release level	